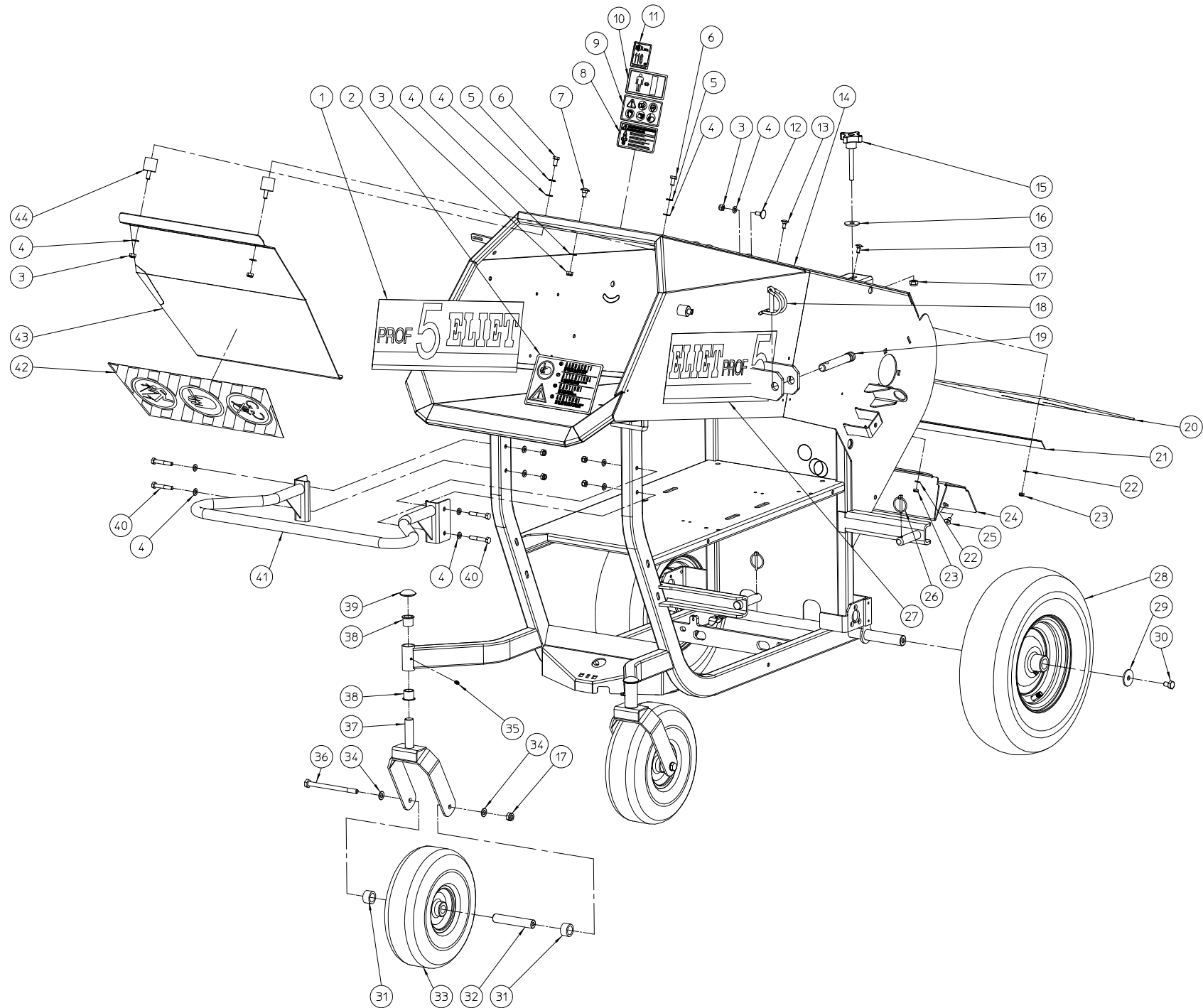


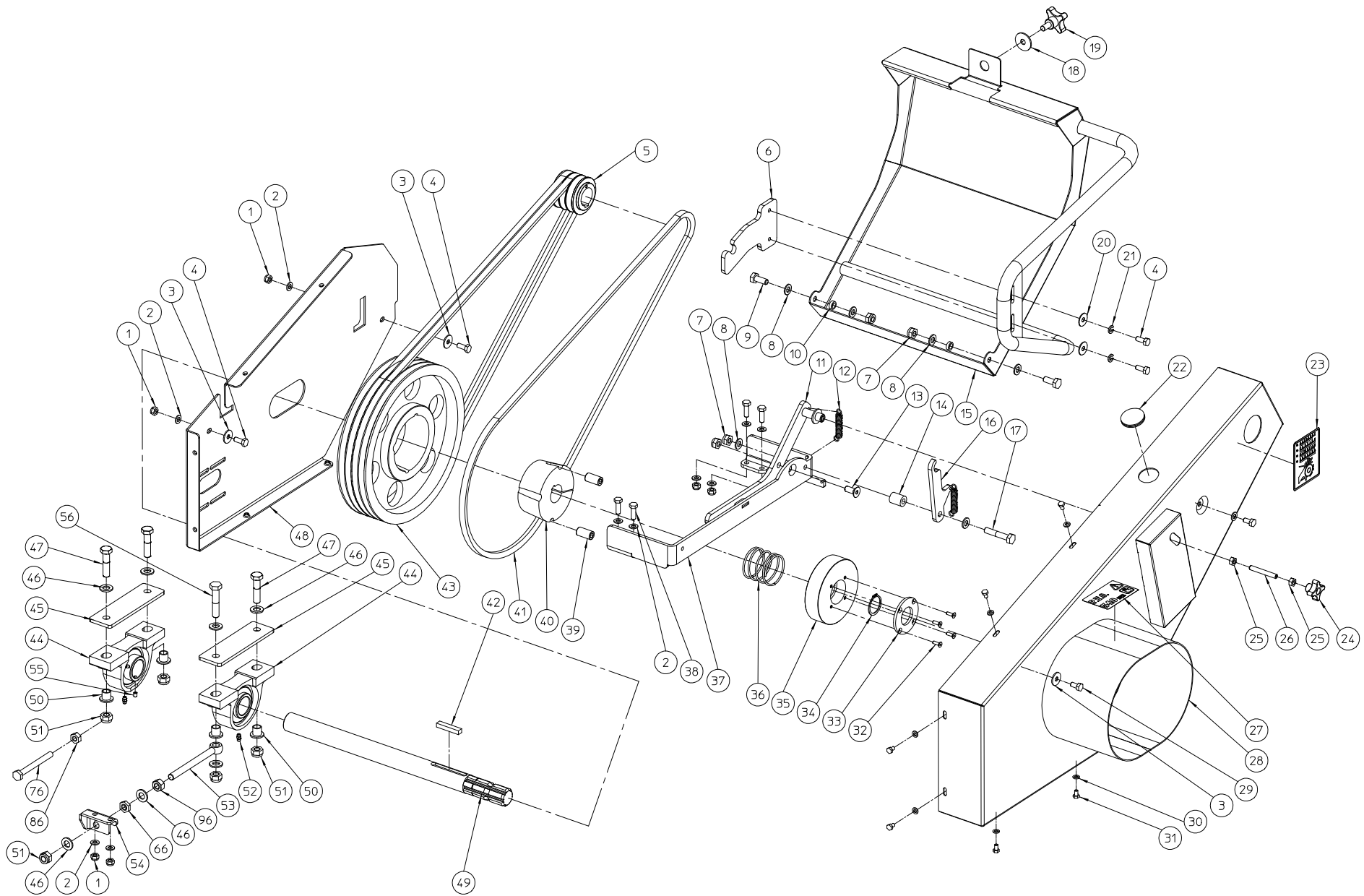
ELIET PROF5 PTO -- GENERAL						
NO	MMA 01 051 600	REV	3	DATE	2014/07/08	

#	Order nr	article description	quantity
10	MMA 01 051 610	standard	1
20	MMA 01 051 620	transmission	1
30	MMA 01 051 630	discharge pipe	1
40	MMA 01 051 640	hydraulic system	1
50	MMA 01 051 650	abm	1



ELIET PROF5 PTO -- CHASSIS						
NO	MMA 01 051 610	REV	2	DATE	2014/07/08	

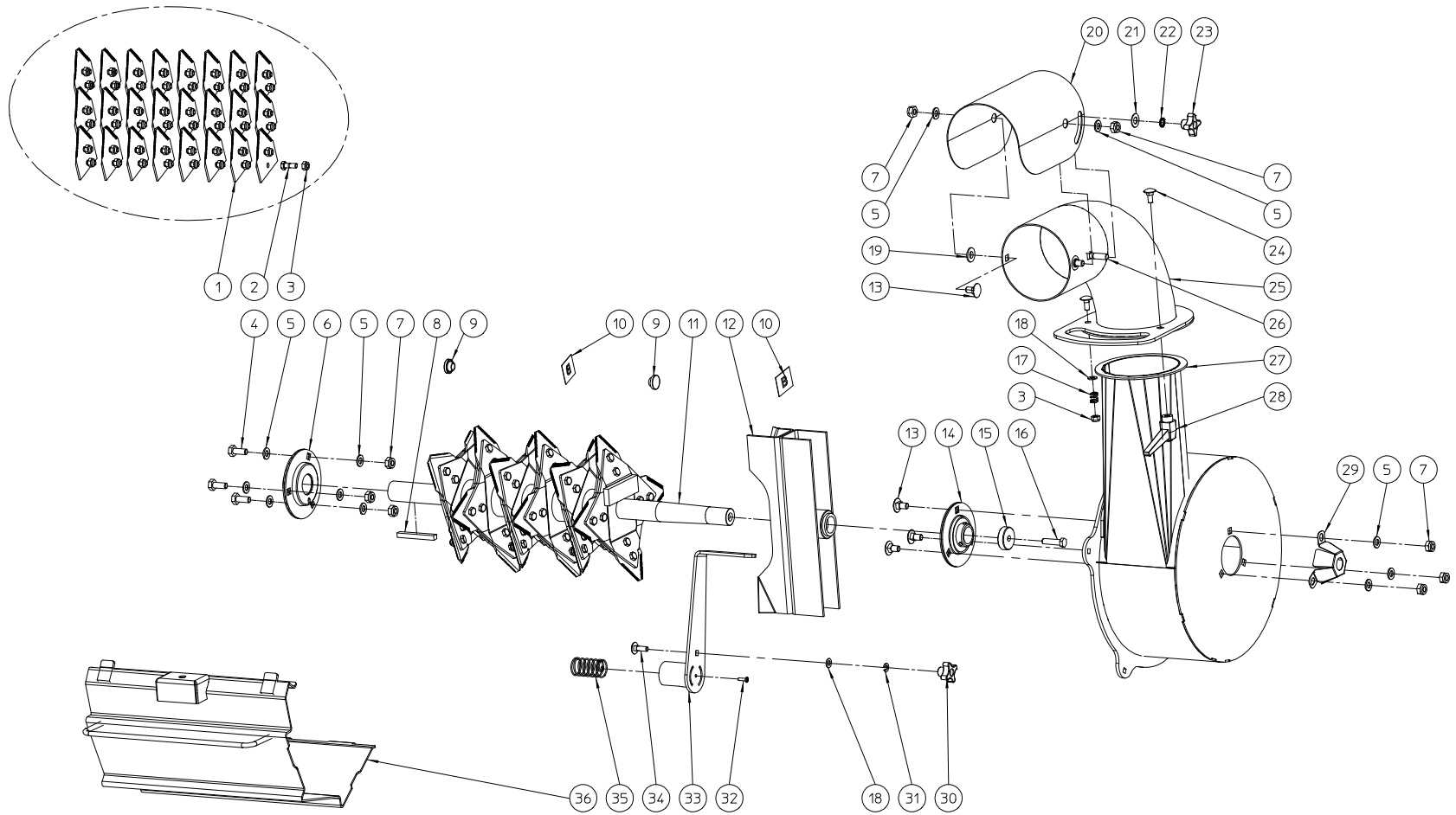
#	Order nr	article description	quantity
1	BQ 501 050 110	sticker 550x170 left	1
2	BQ 505 010 110	safety sticker 190x125 (in feed)	1
3	BS 502 000 800	self locking nut m8 din 985	15
4	BS 531 000 800	washer m8 din 125	21
5	BS 534 000 800	lock washer m8 din 6798a	2
6	BS 512 000 816	bolt m8x16 din 933	2
7	BS 554 100 816	bolt m8x16 din 603	4
8	BQ 505 010 040	safety sticker 60x100 (spark plug)	1
9	BQ 505 010 050	safety sticker 60x100 (pictogram)	1
10	BQ 505 010 150	safety sticker 60x100 (distance)	1
11	BQ 505 112 116	sticker sound level 116 db	1
12	BS 554 100 820	bolt m8x20 din 603	4
13	BS 554 100 616	bolt m6x16 din 603	8
14	MPA 01 051 630	frame pto	1
15	BN 630 510 480	lob knob Ø60mm - m10x80	1
16	BS 532 010 356	washer m10x35x3	1
17	BS 502 001 000	self locking nut m10 din 985	3
18	BB 040 410 050	locking pin 10x50	1
19	BB 113 190 920	linkage pin 19mm	1
20	BR 900 001 660	rubber	1
21	MPA 01 050 100	retainer for rubber flap (inside)	1
22	BS 531 000 600	washer m6 din 125	8
23	BS 502 000 600	self locking nut m6 din 985	8
24	MPA 01 051 530	deflector rotor	1
25	BS 522 100 812	screw m8x12 din 7991	2
26	BB 040 304 030	locking pin with bracket 4.5x36	2
27	BQ 501 050 120	sticker 550x170 right	1
28	BW 045 025 010	wheel 5.00-8	2
29	BS 532 010 406	washer m10x40x3	2
30	BS 512 001 016	bolt m10x16 din 933	2
31	MPA 01 340 380	spacer wheelshaft	4
32	MPA 01 051 175	wheel shaft caster wheel	2
33	BW 029 020 000	wheel 4.00-4	2
34	BS 531 001 000	washer m10 din 125	4
35	BY 100 106 100	grease fitting m6 din 71412	2
36	BS 511 001 054	bolt m10x140 din 931	2
37	MPA 01 051 135	fork caster wheel	2
38	BR 112 202 100	nylon bushing with collar (20/24/29x21/1)	4
39	BB 011 000 200	starlock 20mm	2
40	BS 511 000 842	bolt m8x50 din 931	4
41	MPA 01 051 055	handle-bar	1
42	BQ 505 010 100	safety sticker 465x200 (shield)	1
43	MPA 01 051 090	protection	1
44	BR 600 130 301	antivibration blocks 30x30b m8x16	2



ELIET PROF5 PTO -- TRANSMISSION						
NO	MMA 01 051 620	REV	3	DATE	2014/07/08	

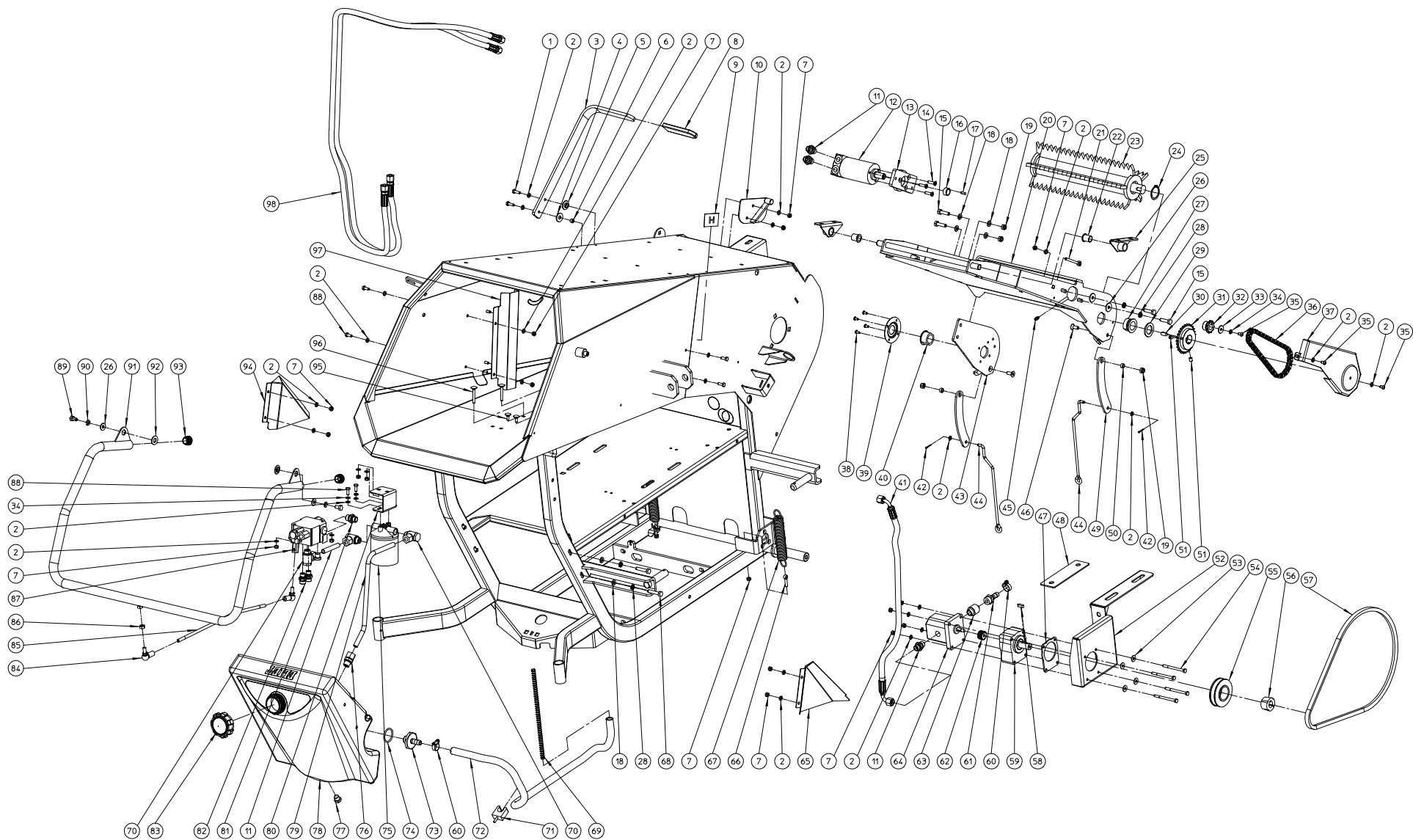
#	Order nr	article description	quantity
1	BS 502 000 800	self locking nut m8 din 985	6
2	BS 531 000 800	washer m8 din 125	11
3	BS 532 008 254	washer m8x25x2	3
4	BS 512 000 820	bolt m8x20 din 933	4
5	BA 565 707 131	pulley spa iii 71x35x10	1
6	MPA 01 051 850	locking plate	1
7	BS 502 001 000	self locking nut m10 din 985	4
8	BS 531 001 000	washer m10 din 125	6
9	BS 512 001 025	bolt m10x25 din 933	2
10	BR 111 100 500	nylon bushing (10.3/15x5)	2
11	MPA 01 040 325	lever	1
12	BV 912 000 020	spring idler return	2
13	BS 522 101 025	screw m8x60 din 7991	1
14	MPA 01 040 335	spacer	1
15	MPA 01 051 960	rear cap	1
16	MPA 01 040 330	support lever	1
17	BS 511 001 043	bolt m10x55 din931	1
18	BS 532 010 355	washer m10x35x2.5	1
19	BN 630 210 200	lob knob 189-50 m10x20	1
20	BS 532 008 253	washer m8x25x1.5	2
21	BS 533 000 800	lock washer m8 din 127b	2
22	BR 500 103 800	rubber plug 42x38x1.6	1
23	BQ 505 010 130	safety sticker 100x80 (belt transmission)	1
24	BN 630 808 400	lob knob 188-40 m8	1
25	BS 501 000 800	nut m8 din 934	2
26	BS 023 000 844	set screw m8x60 din 916	1
27	BQ 501 050 100	sticker 540rpm 100x61	1
28	MPA 01 051 620		1
29	BS 512 000 816	bolt m8x16 din 933	2
30	BS 531 000 600	washer m6 din 125	6
31	BS 512 000 610	bolt m6x10 din 933	6
32	BS 522 100 516	screw m5x16 din 7991	4
33	MPA 01 040 340	closure plate	1
34	BB 001 000 320	retaining ring 32 din 471	1
35	BR 910 000 510	ertalon bushing safety	1
36	BV 901 000 070	compression spring gimbal safety	1
37	MPA 01 041 440	flat support safety major 4s pto	1
38	BS 512 000 825	bolt m8x25 din 933	4
39	BB 501 316 320	setscrew 5/8"x1 1/4"	2
40	BB 501 173 500	taper lock tl 3020-35	1
41	BA 521 218 000	belt xpa 1800	3
42	BB 341 100 850	key 10x8x50 din 6880	1
43	BA 562 730 040	pulley spa iiiii 300 tl3020	1
44	BL 782 103 507	bearing unit ntn ucp 207d1	2
45	MPA 01 040 350	bearing housing	2
46	BS 531 001 200	washer m12 din 125	7
47	BS 511 001 242	bolt m12x50 din 931	3
48	MPA 01 051 605		1
49	BA 221 200 004	splined shafting - pto	1
50	MPA 01 040 345	spacer	4
51	BS 502 001 200	self locking nut m12 din 985	5
52	BY 100 106 100	grease fitting m6 din 71412	2

53	BS 551 001 254	eye bolt m12x140 din 444	1
54	MPA 01 040 355	shaft support	1
55	BS 023 000 608	set screw m6x8 din 916	4
56	BS 511 001 244	bolt m12x60 din 931	1
66	BS 501 901 200	nut m12 din 439	1
76	BS 512 001 050	bolt m10x100 din 933	1
86	BS 501 001 000	nut m10 din 934	1
96	BS 501 001 200	nut m12 din 934	1



ELIET PROF5 PTO -- TRLO				
NO	MMA 01 051 630	REV	1	DATE 2014/07/08

#	Order nr	article description	quantity
1	BU 401 200 303	set of knives (24)	1
2	BS 011 000 822	bolt m8x22 din 931	1
3	BS 502 000 800	self locking nut m8 din 985	2
4	BS 512 001 025	bolt m10x25 din 933	3
5	BS 531 001 000	washer m10 din 125	11
6	BL 801 503 502	kit bearing aspf 207 complete	1
7	BS 502 001 000	self locking nut m10 din 985	8
8	BB 341 100 875	key 10x8x75 din 6880	1
9	BR 500 101 600	rubber plug 16.0 x 0.8 - 2.0 mm	2
10	BQ 501 050 170	sticker blower 40 x 47	2
11	MPA 01 051 450	rotor option	1
12	MPA 01 051 440	propeller	1
13	BS 554 101 020	bolt m10x20 din603	5
14	BL 801 503 001	kit bearing aspf 206 complete	1
15	MPA 01 052 040	disc ring	1
16	BS 511 081 040	vis 3/8"unf x1"1/2 left	1
17	BV 911 000 010	spring 14x2x16	2
18	BS 531 000 800	washer m8 din 125	3
19	BR 112 120 410	nylon bushing with collar (12/15/25x4/2)	2
20	MPA 01 051 425	control valve	1
21	BR 111 120 100	nylon bushing (12.2x24x1.3)	1
22	BS 534 001 000	lock washer m10 din 6798a	1
23	BN 630 210 000	lob knob 188-40 m10	1
24	BS 554 100 820	bolt m8x20 din 603	3
25	MPA 01 051 415	elbow turbine	1
26	BS 554 101 040	bolt m10x40 din603	1
27	MPA 01 051 410	turbine	1
28	BN 530 108 800	clamp levers	1
29	MPA 01 051 455	protection	1
30	BN 630 808 400	lob knob 188-40 m8	1
31	BS 533 000 800	lock washer m8 din 127b	1
32	BB 221 105 160	pop plug alu 4.8x16 din 7337 a	1
33	MPA 01 052 020	lever	1
34	BS 554 100 825	bolt m8x25 din 603	1
35	BV 905 000 020	spring	1
36	MPA 01 051 420	closing plate	1



ELIET PROF5 PTO -- HYDRO					
NO	MMA 01 051 640	REV	1	DATE	2014/07/08

#	Order nr	article description	quantity
75	BH 280 306 060	filter 3/8 bsp	1